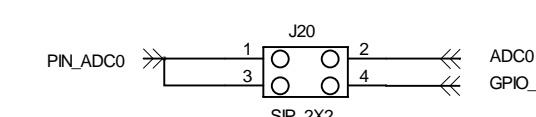
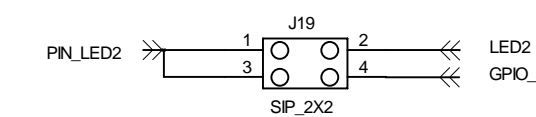
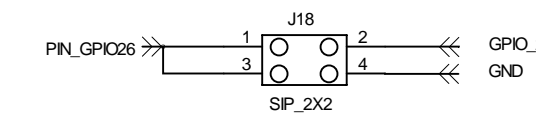
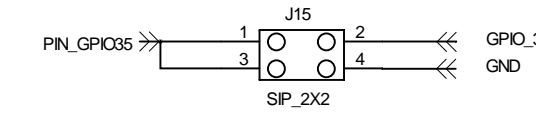
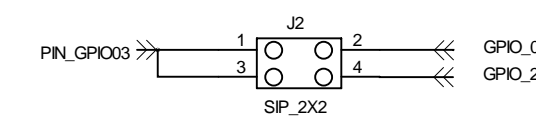
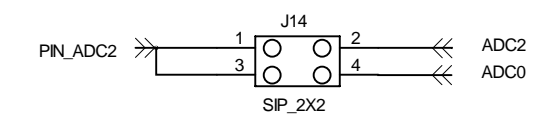
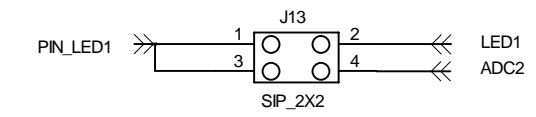
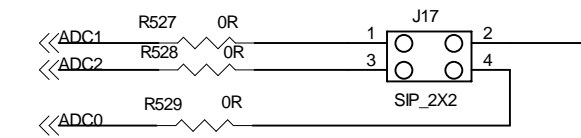
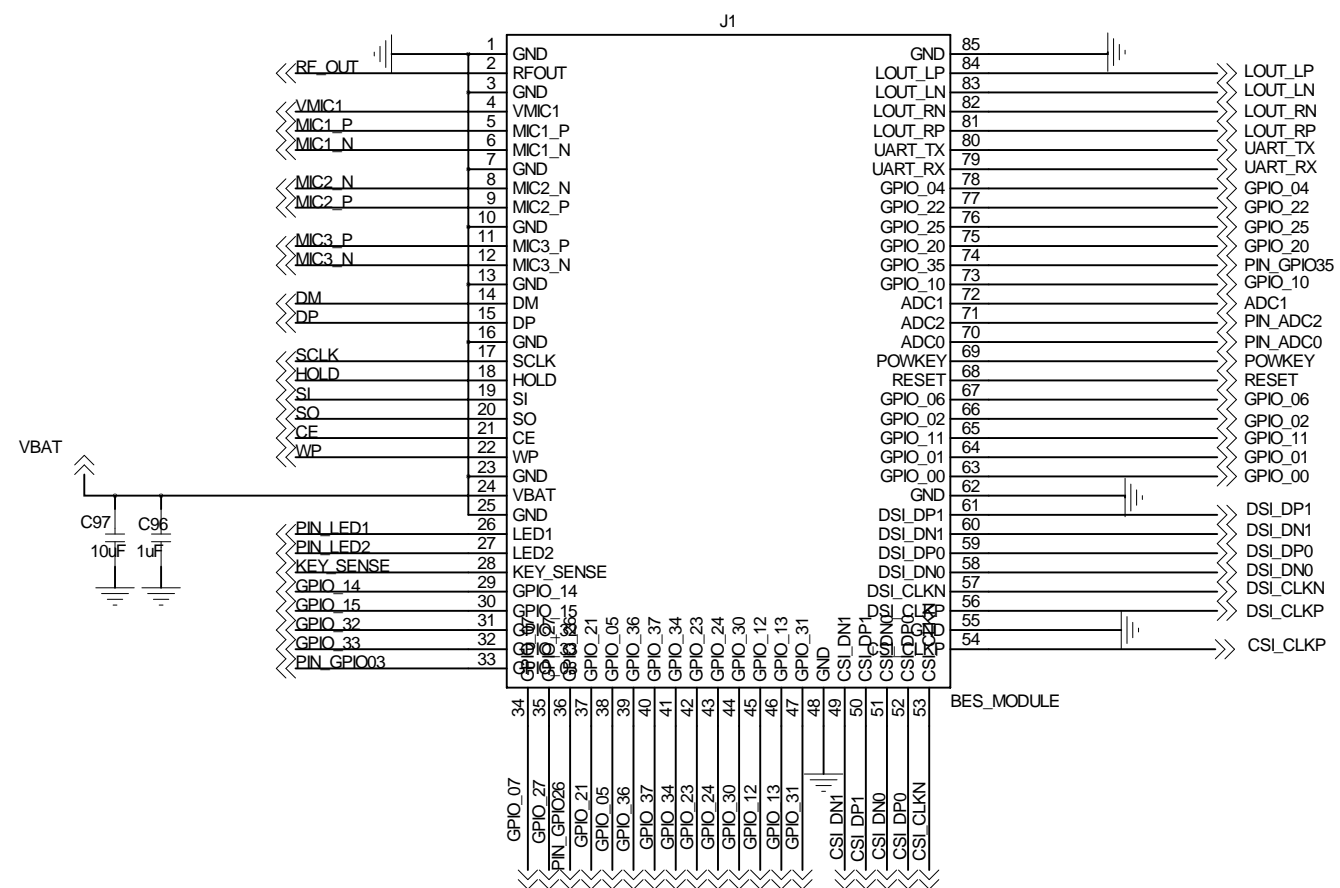
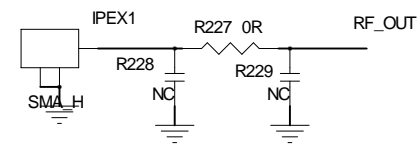
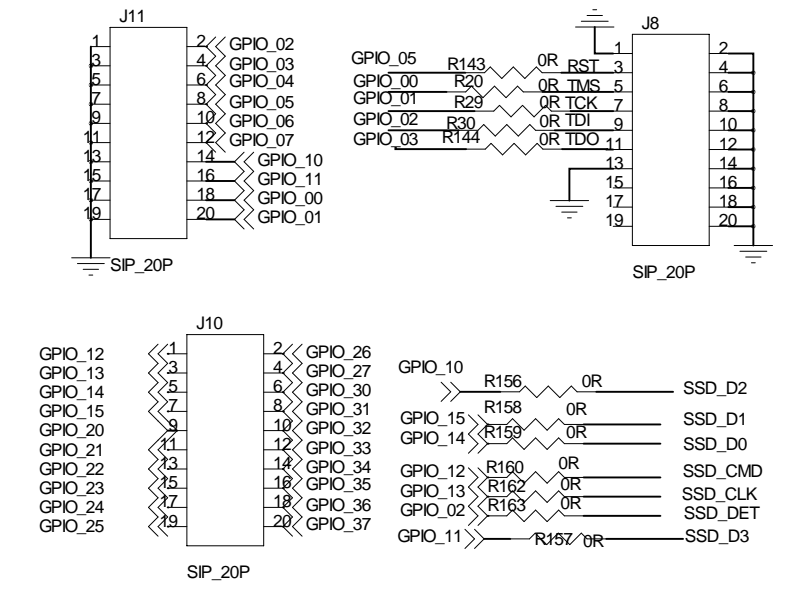


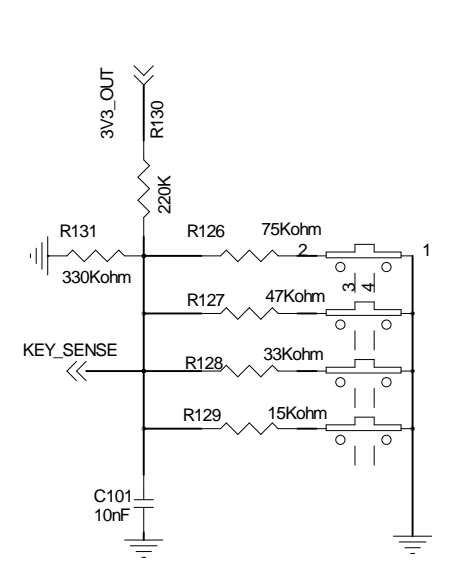
Module



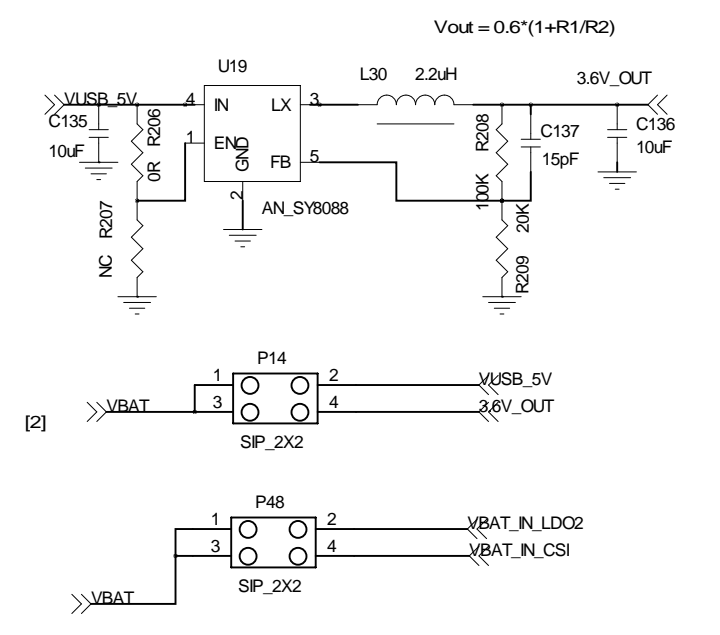
GPIO



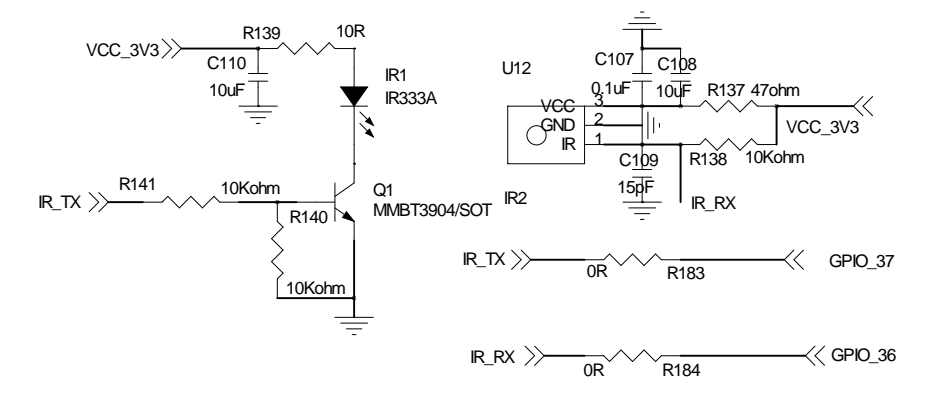
KEY



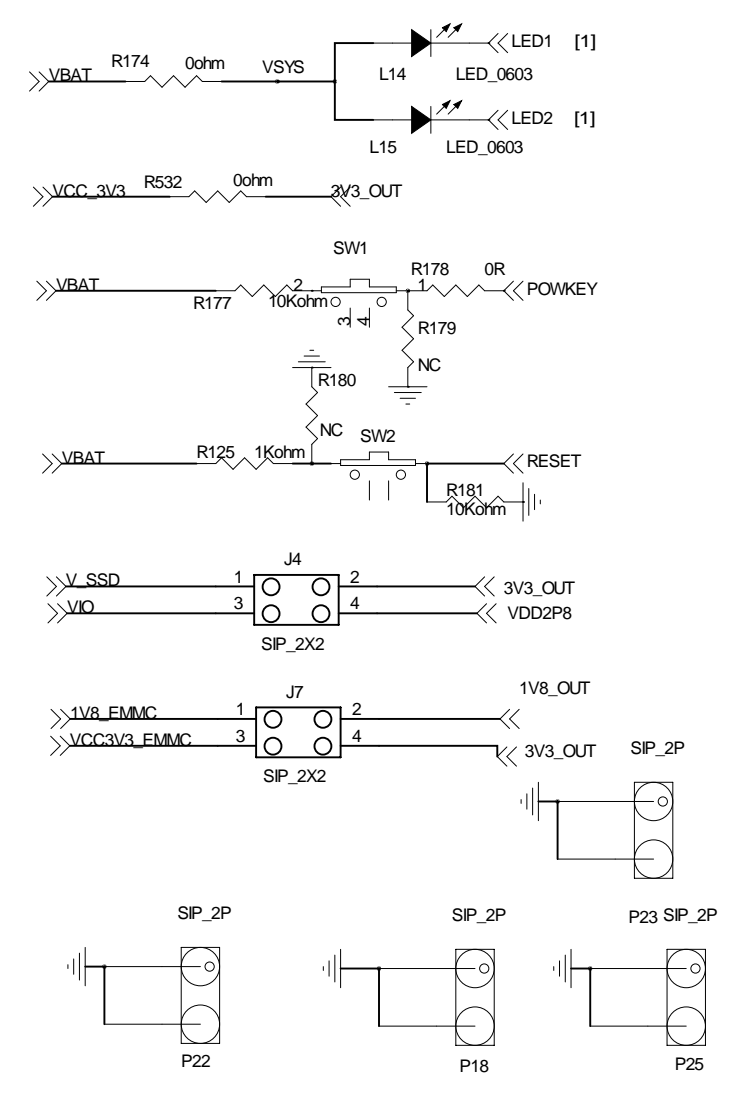
DCDC_5V TO 3.6V



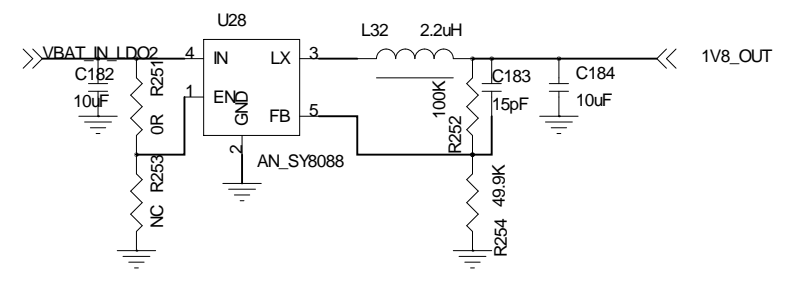
IR



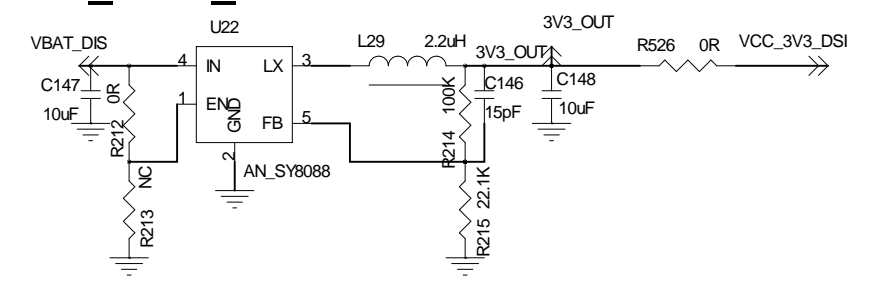
Power config



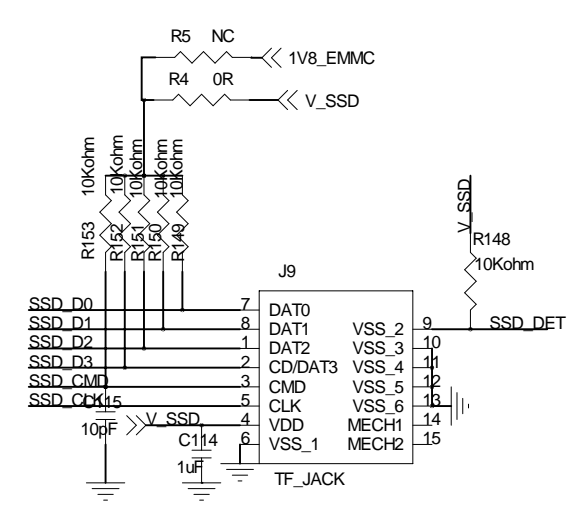
1V8 OUT



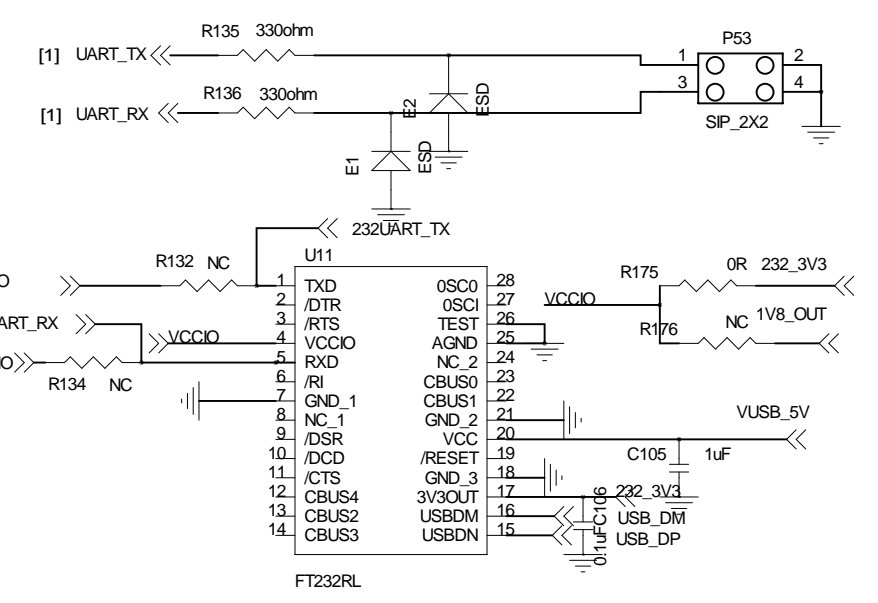
VBAT TO VCC_3V3_DSI



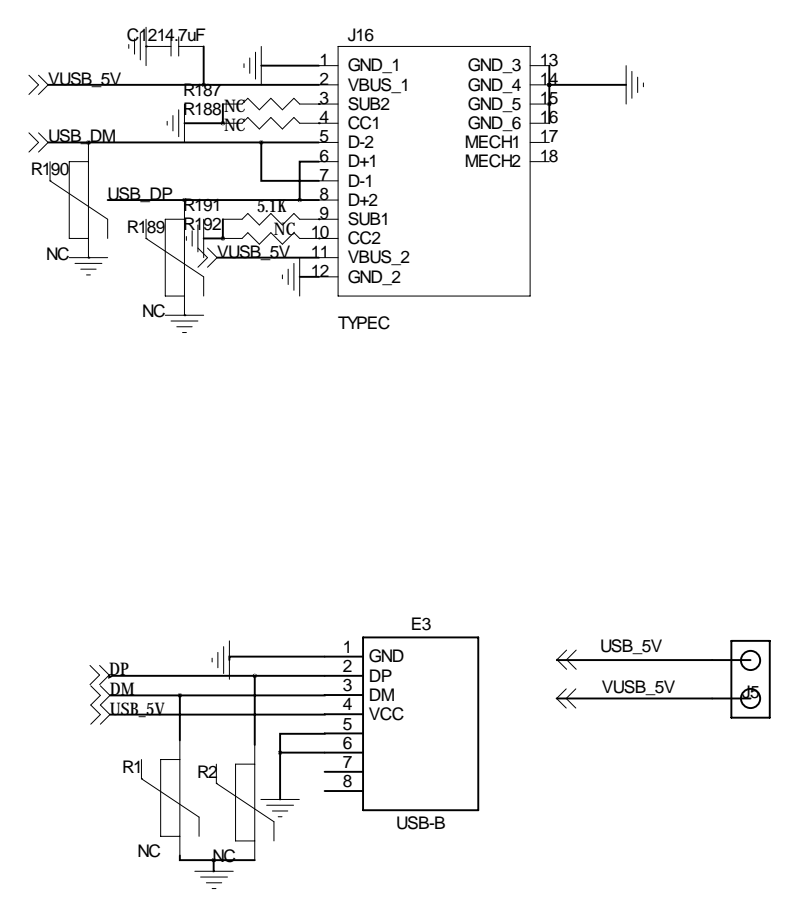
TF



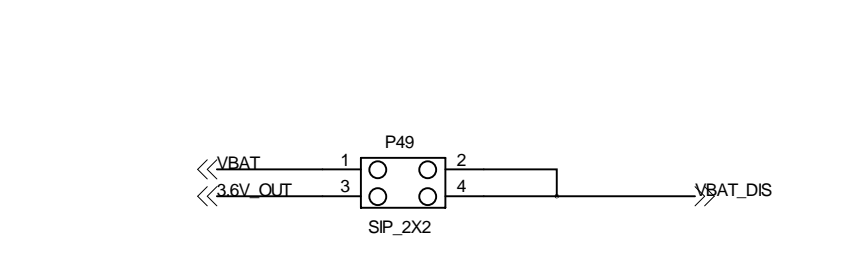
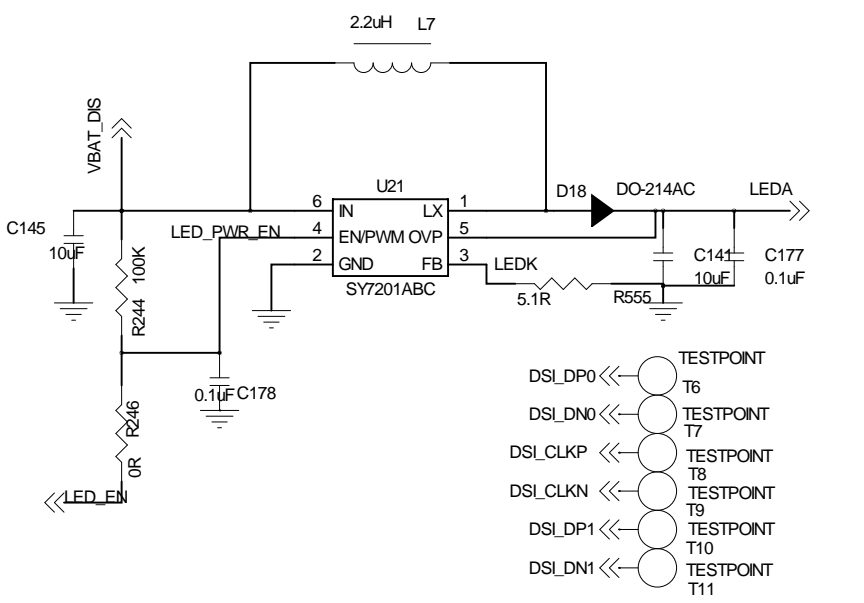
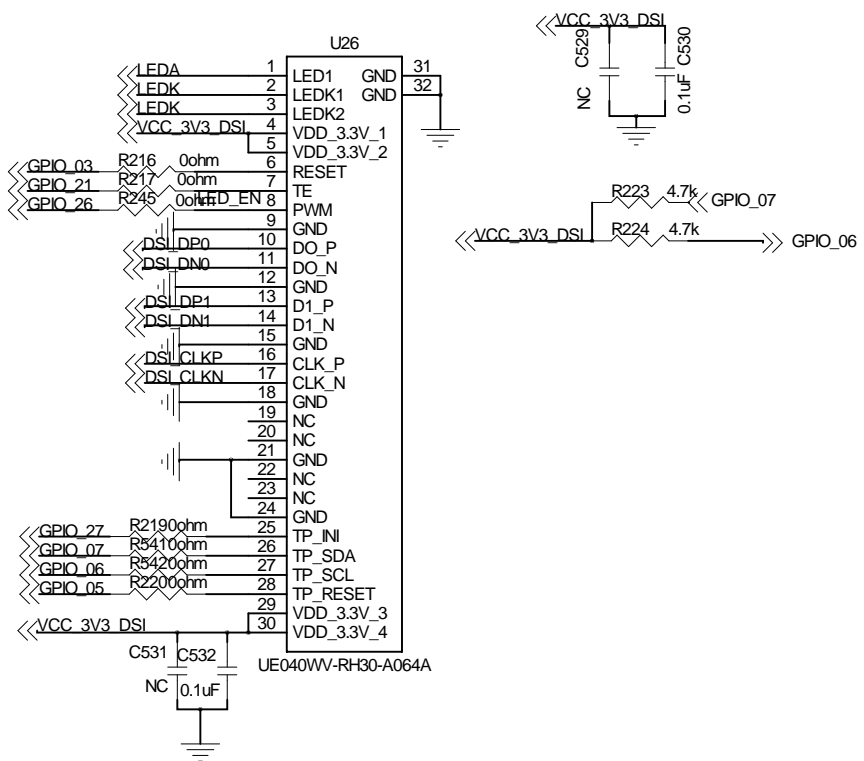
UART



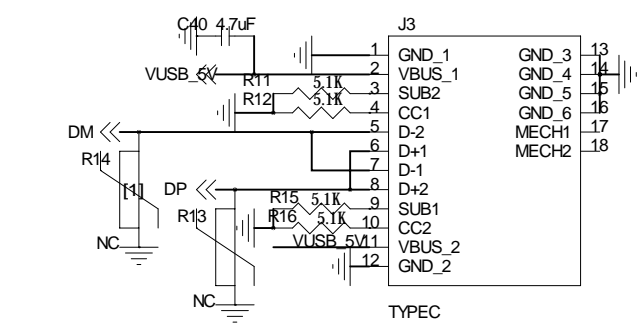
Type C



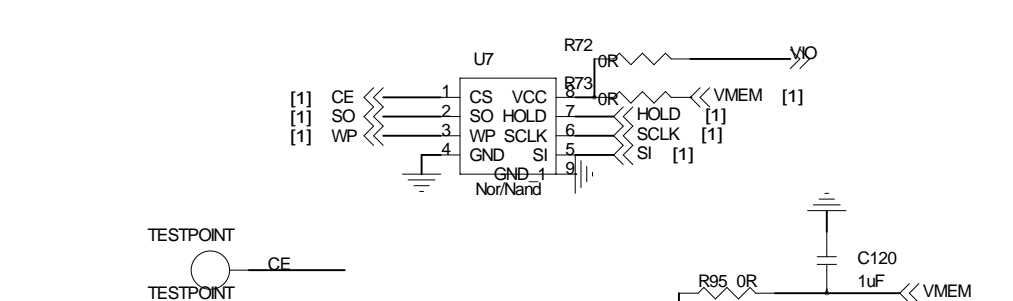
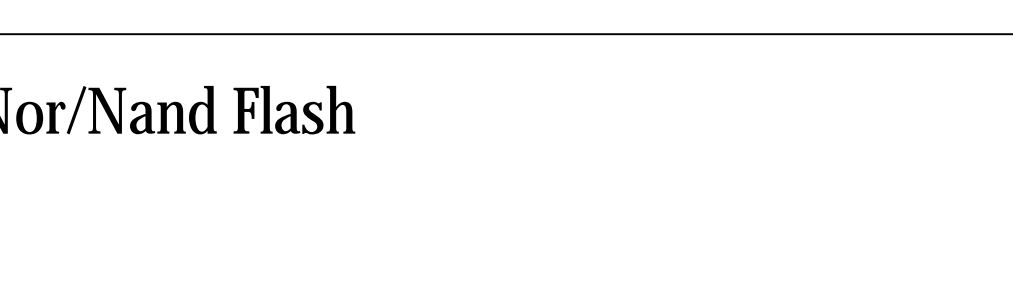
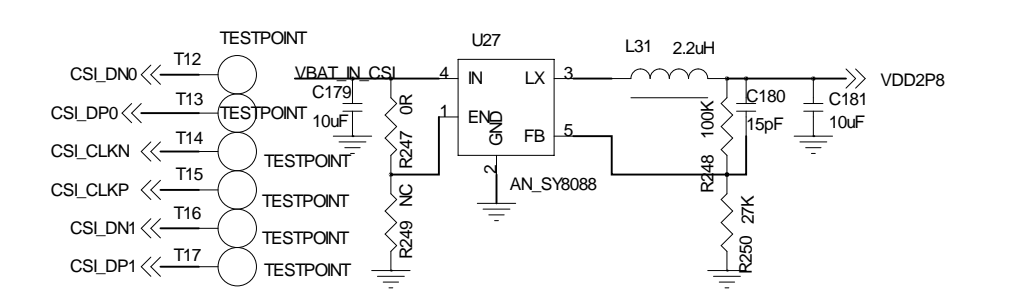
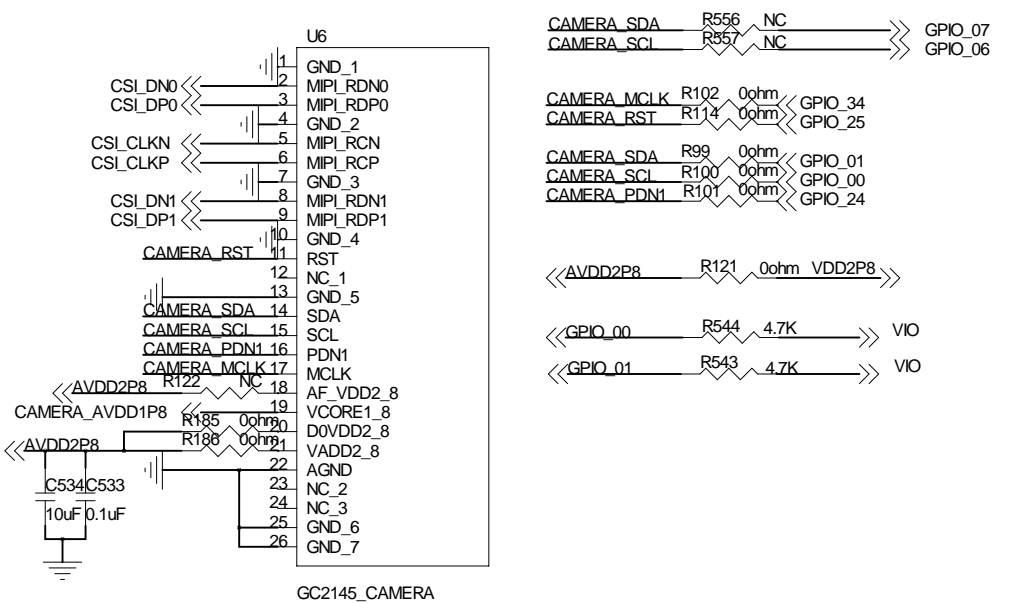
DSI



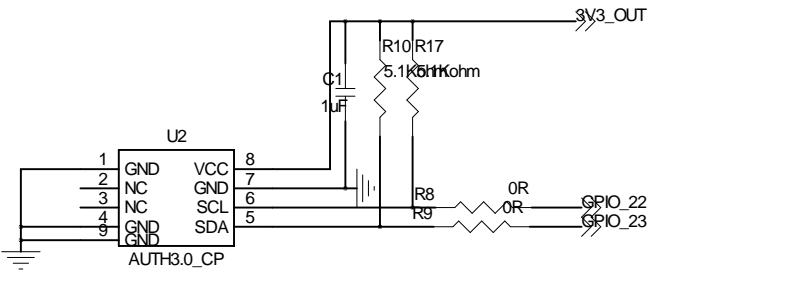
TYPEC



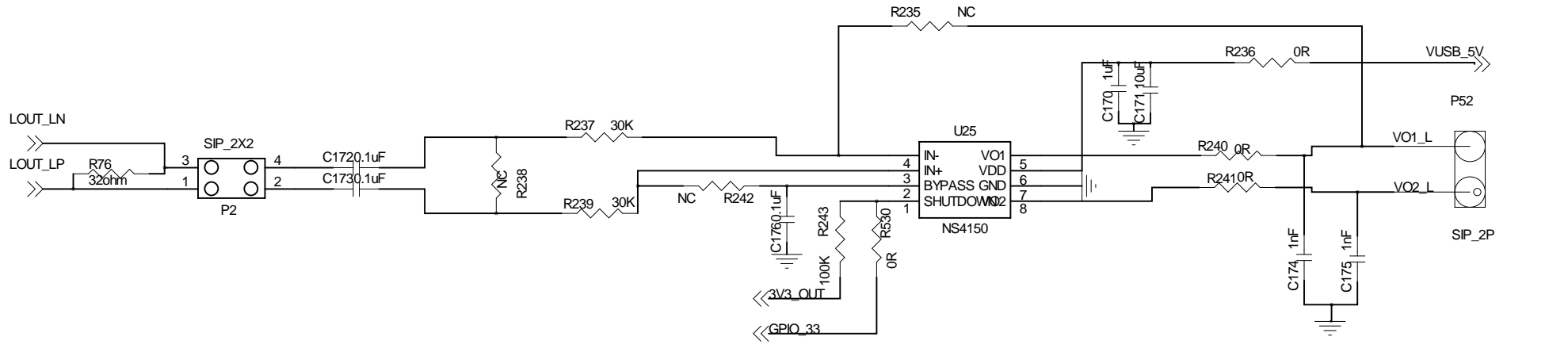
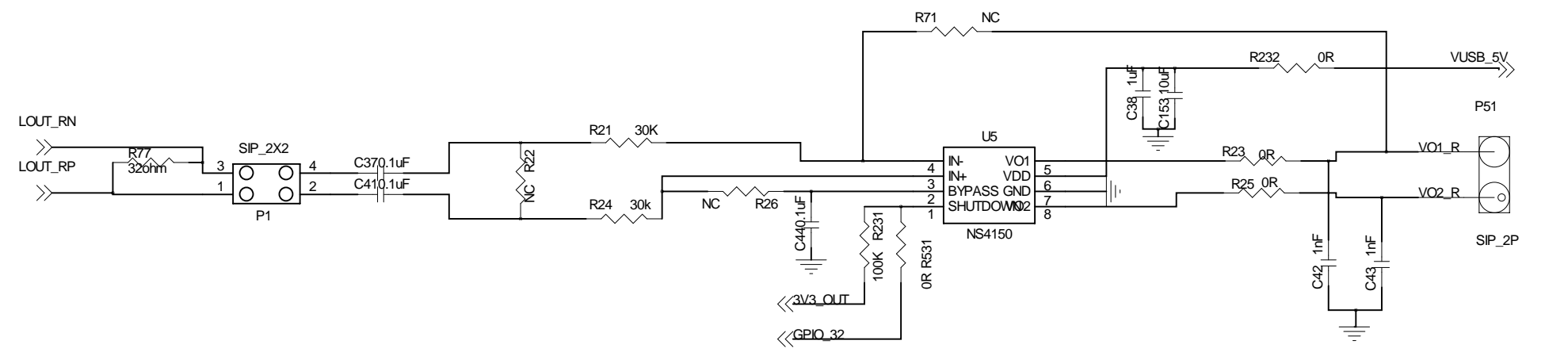
CSI



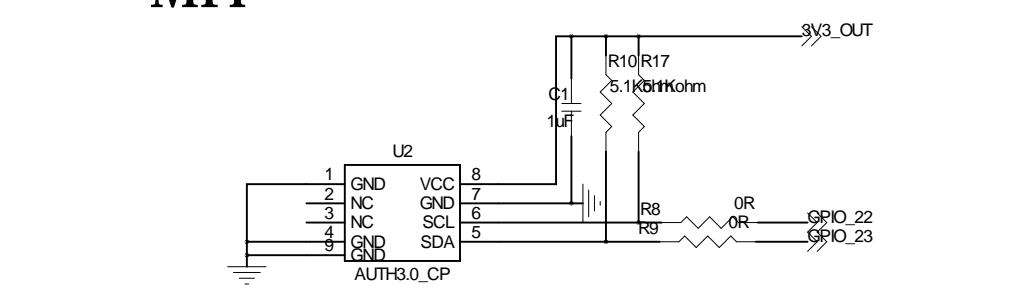
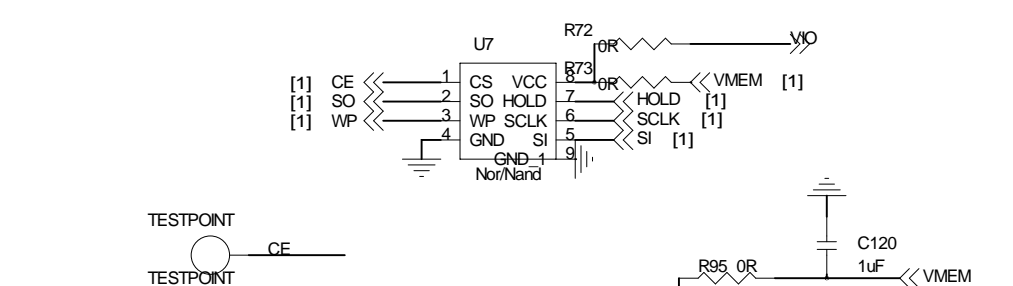
MFI



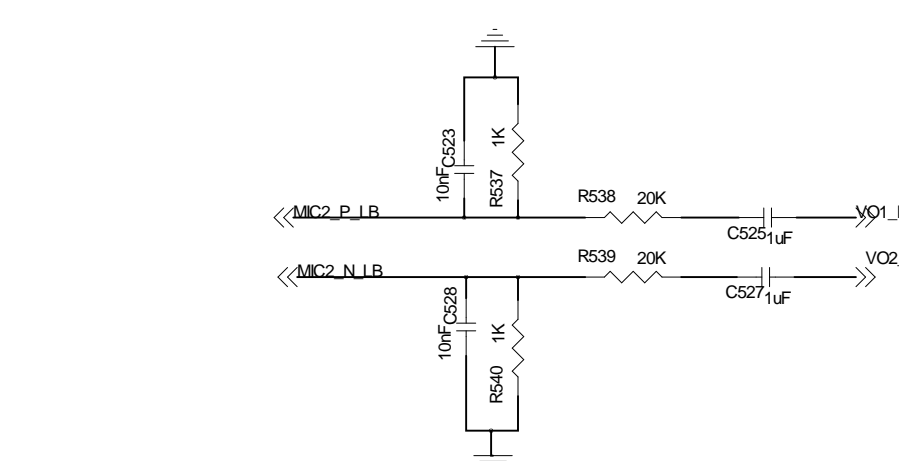
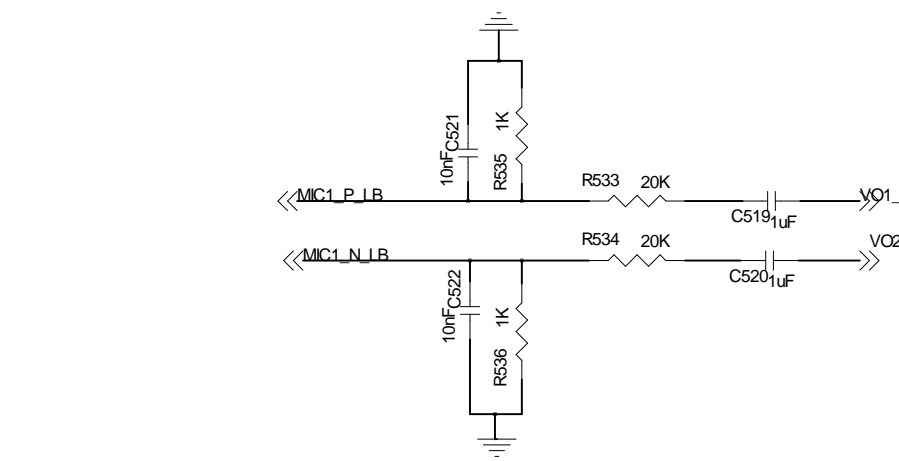
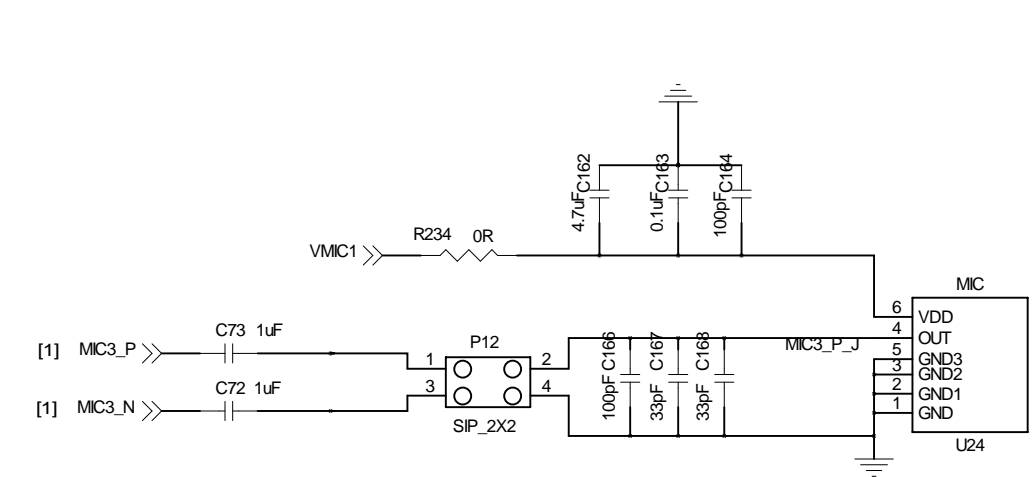
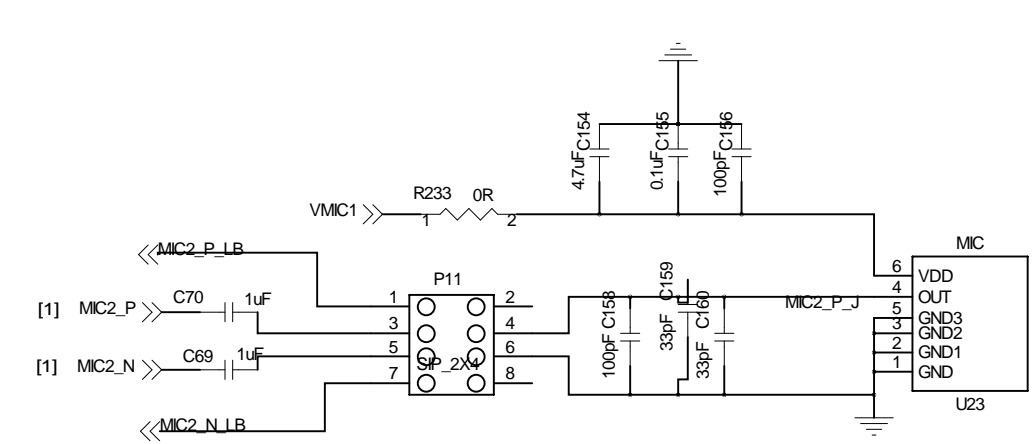
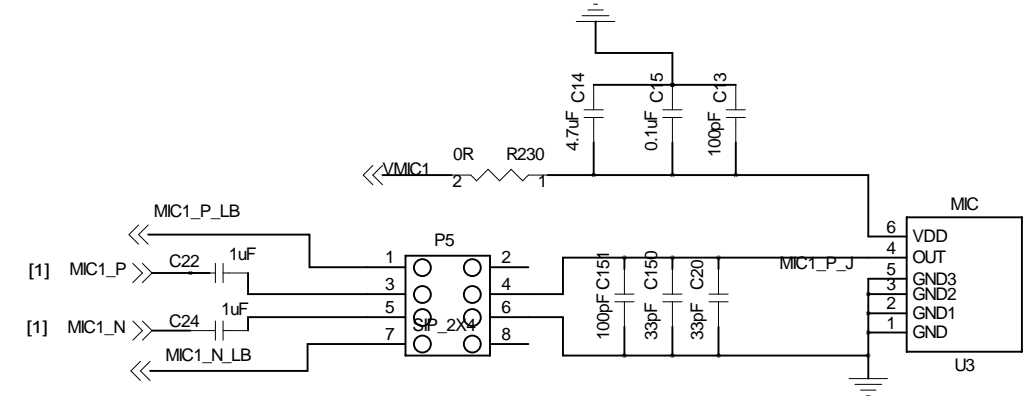
SPEAKER



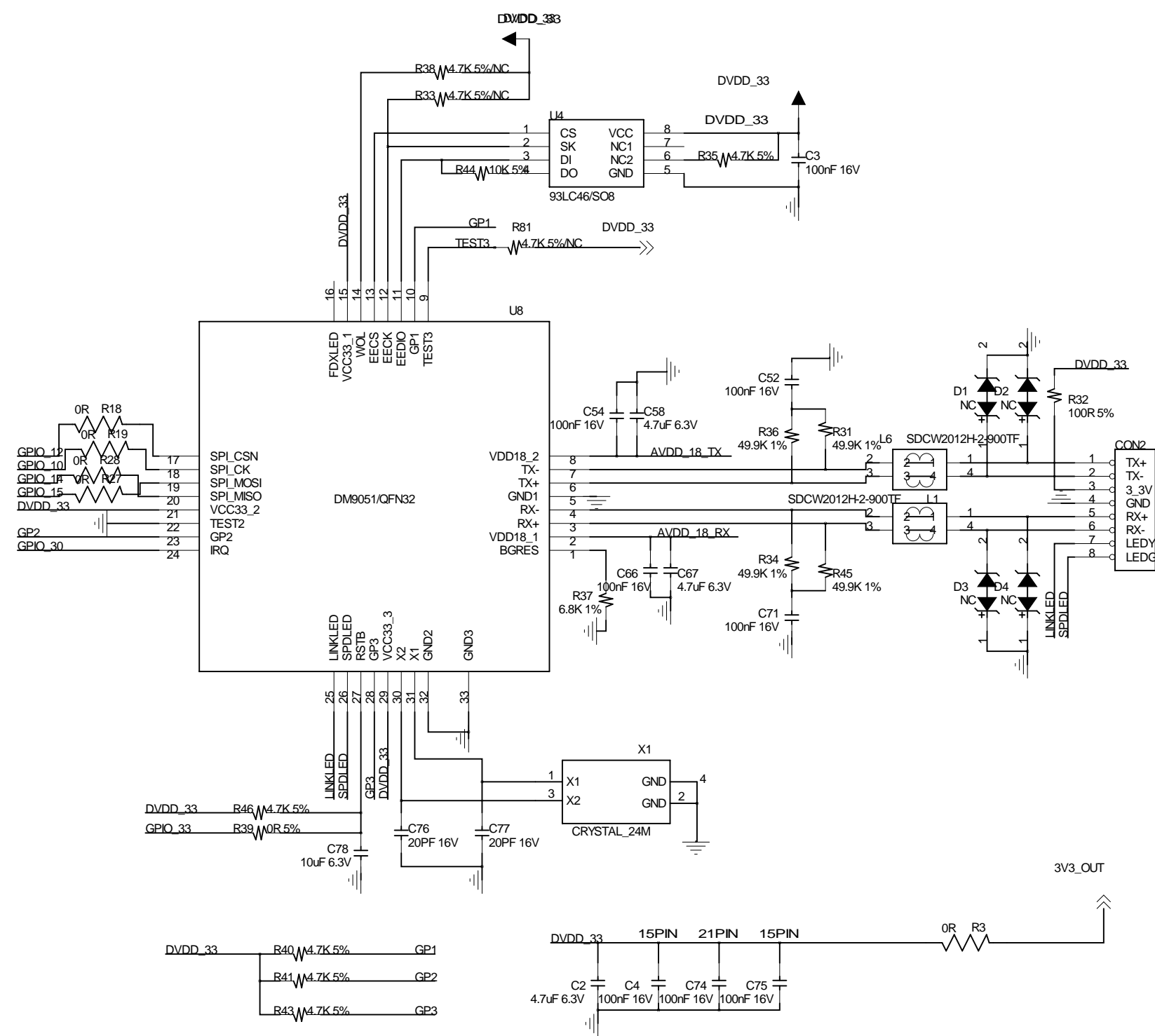
Nor/Nand Flash



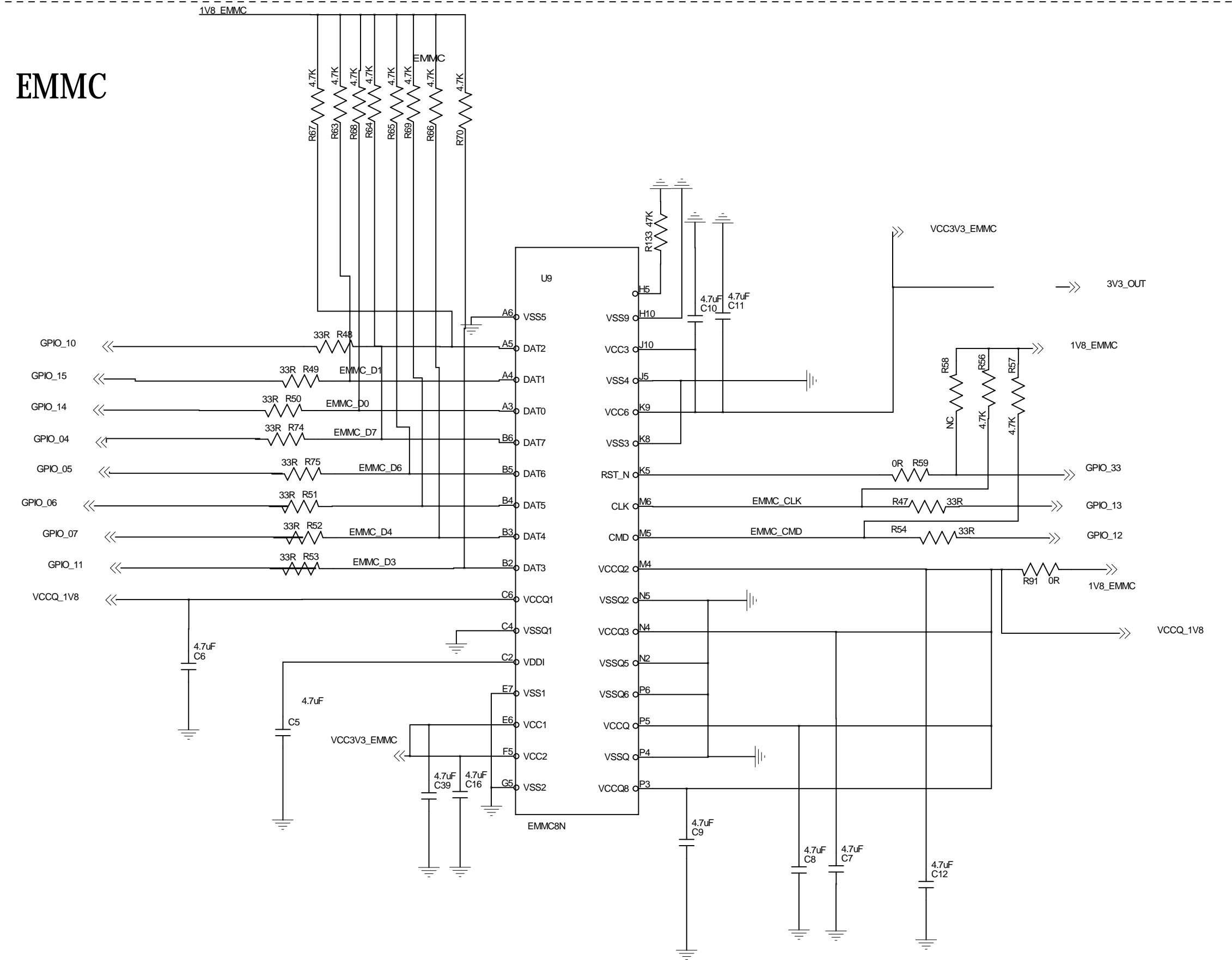
MIC



SPI-NET



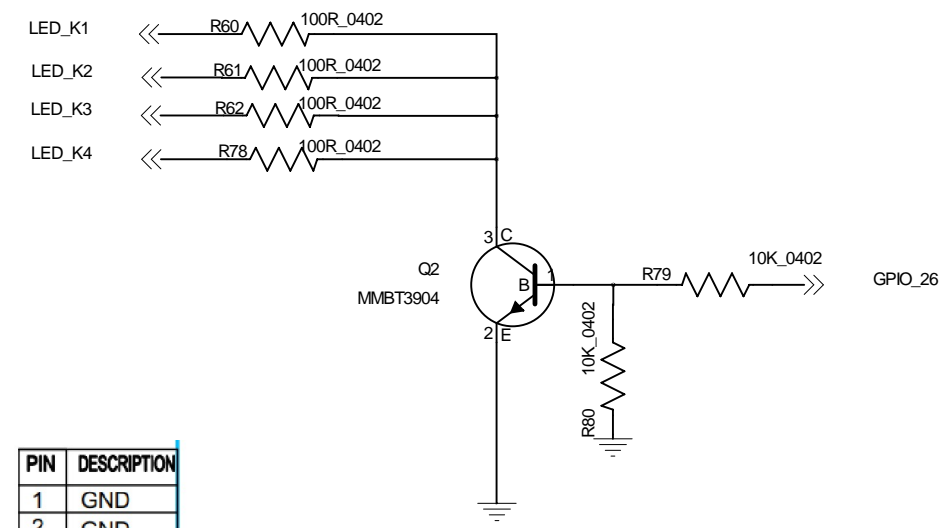
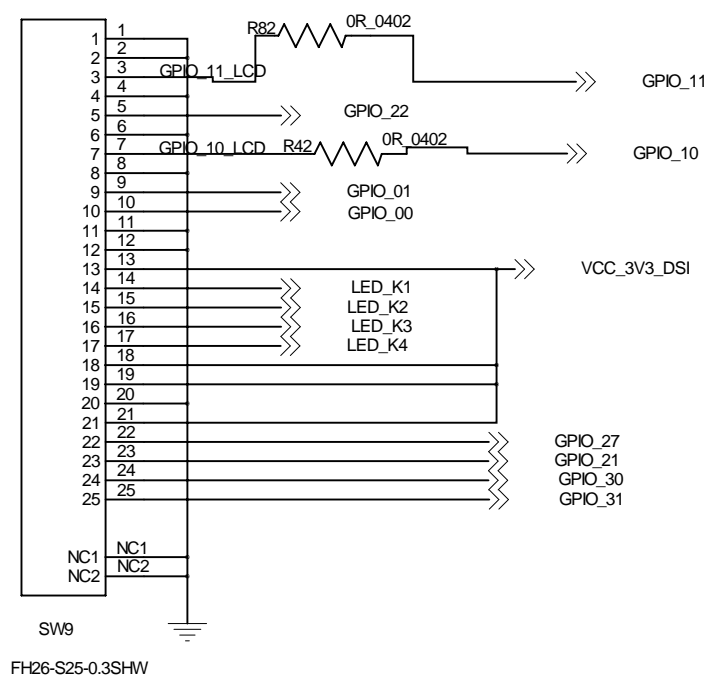
EMMC



SPI Interface--LCD

PIN	DESCRIPTION
1	GND
2	GND
3	CS
4	GND
5	RESET
6	GND
7	SCL
8	GND
9	SDA
10	DC
11	GND
12	GND
13	LED_A
14	LED_K1
15	LED_K2
16	LED_K3
17	LED_K4
18	VCC_3V3
19	IOVCC_3.3V
20	TP_GND
21	TP_VCC_3.3V
22	TP_INT_3.3V
23	TP_RESET_3.3
24	TP_SCL_3.3V
25	TP_SDA_3.3V

4线SPI 8Bit



PIN	DESCRIPTION
1	GND
2	GND
3	CS
4	GND
5	RESET
6	GND
7	SCL
8	GND
9	SDA1
10	SDA2
11	GND
12	GND
13	GND
14	LED_A
15	LED_K1
16	LED_K2
17	LED_K3
18	LED_K4
19	LED_K5
20	LED_K6
21	LED_K7
22	LED_K8
23	VCC
24	IOVCC
25	GND

3线2DATA

